

# Front-Opening Counter P 7097-Delta

## Front-Opening Counter P 7097 with Intercom System DELTA

This unit was designed for the flush built-in into the front or partition walls.

It is for in- as well as for outdoor use in porters' lodges, prisons, embassies and customs offices.

### Security

P 7097 is available in bulletproof classification FB4 up to FB 7 as well as in fire-resistant execution. On request we send you the respective test certificate.

### Operation

The unit is operated manually. Only after closing the inner cover plate, the carriage can be moved to the outside. It locks in both end positions.

Tray and inner cover plate are interlocked which guarantees the bullet-resistance and at the same time prevents from unauthorized grasping in and draught at the workplace.

### Construction and finish

Solid, lacquered steel construction. Front cover, inner cover plate as well as draught slide are from aluminium, silver anodized as standard version.

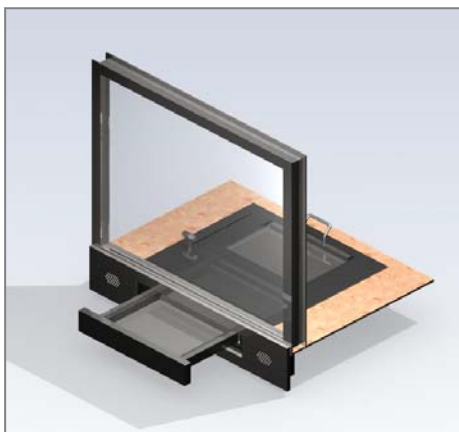
A complete intercom system SITEC-DELTA is integrated in the front-opening counter. An optional mounting of the capsule microphone in the window frame on eye level has to be checked by third party.

### Installation

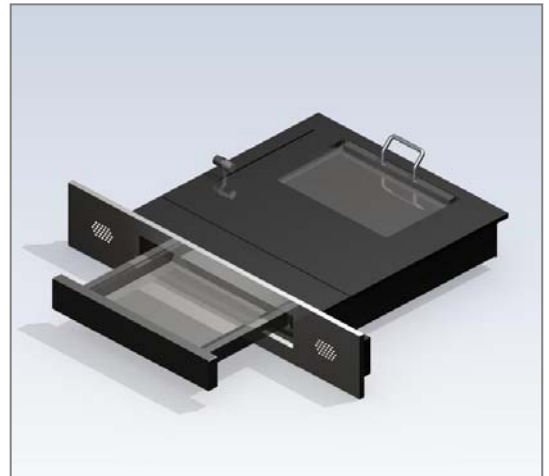
From the outside, the unit is inserted into the prepared wall-opening. From above the inner cover plate of the counter is set into the cut-out of the desk and bolt together with the unit.

In any case, the unit needs to be appropriately supported to make sure that the counter does not bear the whole weight.

It should be also possible to dismantle the unit in case of later repairs and maintenance work will become necessary.



**Intercommunication system SITEC-DELTA is integrated**



### Scope of delivery

Front-Opening Counter P 7097-FB4 (Item No: 105378)

Front-Opening Counter P 7097-FB6 (Item No. 109524)

Front-Opening Counter P 7097-FB7

### Possible variants

P 7097, without integrated intercom. system

P 7097/O, for pass-through of large files  
size: DIN A 4

P 7097/F120, fire-resistant acc. to DIN 4102

as well as combinations of the above, special constructions, e.g. for thicker walls, with different dimensions of the blind, special colors (RAL), stainless steel finish, etc.

Please contact us.

**Security** (Bulletproof according to DIN EN 1522): FB4-NS or FB6-NS or FB7-NS  
For Item Nos. pls. refer to scope of delivery  
(all also acc. to BGV C9 - UVV Kassen)

### Wall opening:

W x H = 885 x 130 mm

Strength of wall above max. 250 mm

### Front cover :

L = 920 mm, H = 165 mm

### Inner clearance:

W x H x D = 330 x 30 x 235 mm

### Required information for order:

Name, bullet-resistance class and Item No.

