

Transfer Tray P 7031

Transfer Tray P 7031

This unit was designed for flush built-in into cash desks. It is intended for indoor and roofed outdoor use in banks, porters' offices and other cash areas. Due to its very flat construction, it can be set in everywhere there, where only a low built-in height is available. Included in delivery is a sealing brush in order to ensure that the unit is nearly free of draught.

Security

P 7031 is bulletproof and has a test certificate FB4.

On request we send you the test certificate.

Operation

The unit is operated manually. Money carriage and counter-moving cover plate lock in their end positions. Unlocking is possible by pushing the slide control next to the handle.

Construction and finish

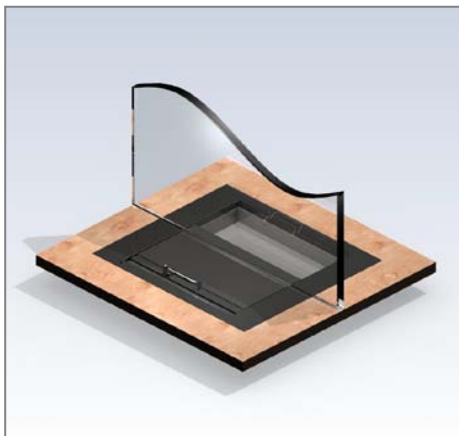
Robust steel construction with long-living and maintenance-free mechanics. Cover frame and counter moving cover plate with abrasion-resistant structure lacquering (RAL 9005, Jet black). The money carriage with inserted plate is made of stainless steel.

Installation

The unit can be inserted from above into the prepared cut-out of the counter. The edges of the frame cover the cut-out. In order to build in the unit completely flush with the counter, the desk plate can be milled.

The unit has to be supported by e.g. consoles to make sure that the whole weight does not burden on the cover frame.

It should be also possible to dismantle the unit in case of later repairs and maintenance work will be necessary.



Intercommunication system

We recommend our Intercom System Delta to allow customer-friendly communication between operator and customer.



Scope of delivery (Item No.: 100674)

Transfer Tray P 7031 - Standard Jet black

Sealing brush to close the gap between cover plate and glass frame/glass

Possible variants

P 7031/VA, frame and counter moving cover plate covered with stainless steel V2a brushed (Item No.: 126932)

P 7031/S, frame and counter moving cover plate lacquered in special RAL-colour according to customer's request.

Possible are also units for thicker walls or with special dimensions.

Please contact us.

Security (Bulletproof according to DIN EN 1522): FB4-NS

(also BGV C9 - UVV Kassen)

Cash desk cut-out:

W x D = 535 x 485 mm

Outer dimensions :

W x H x D = 550 x 82 x 500 mm

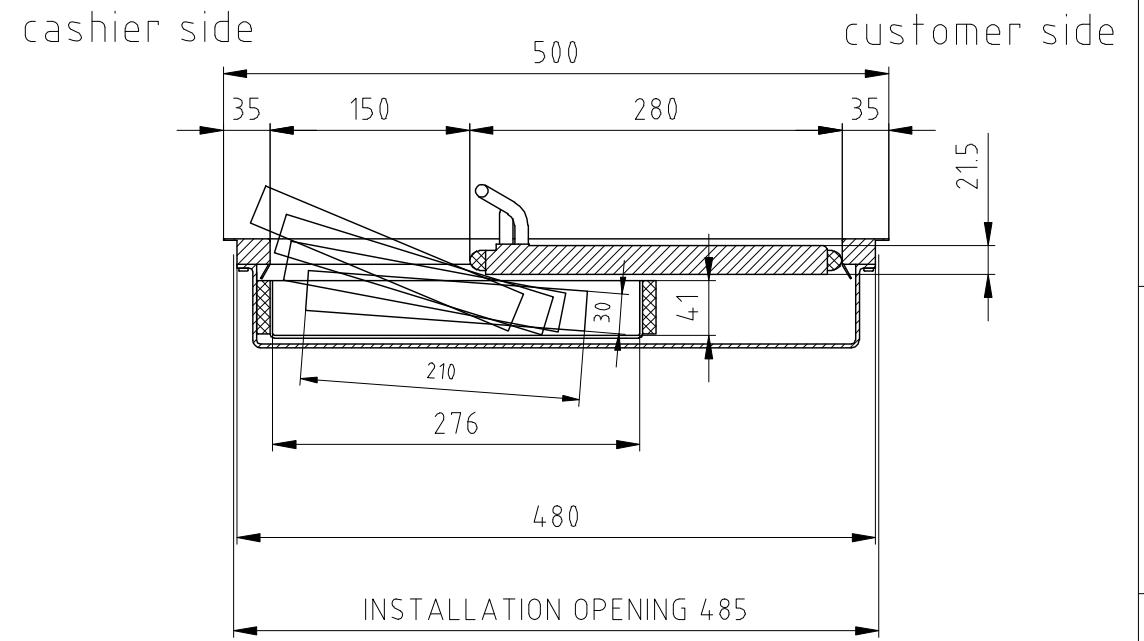
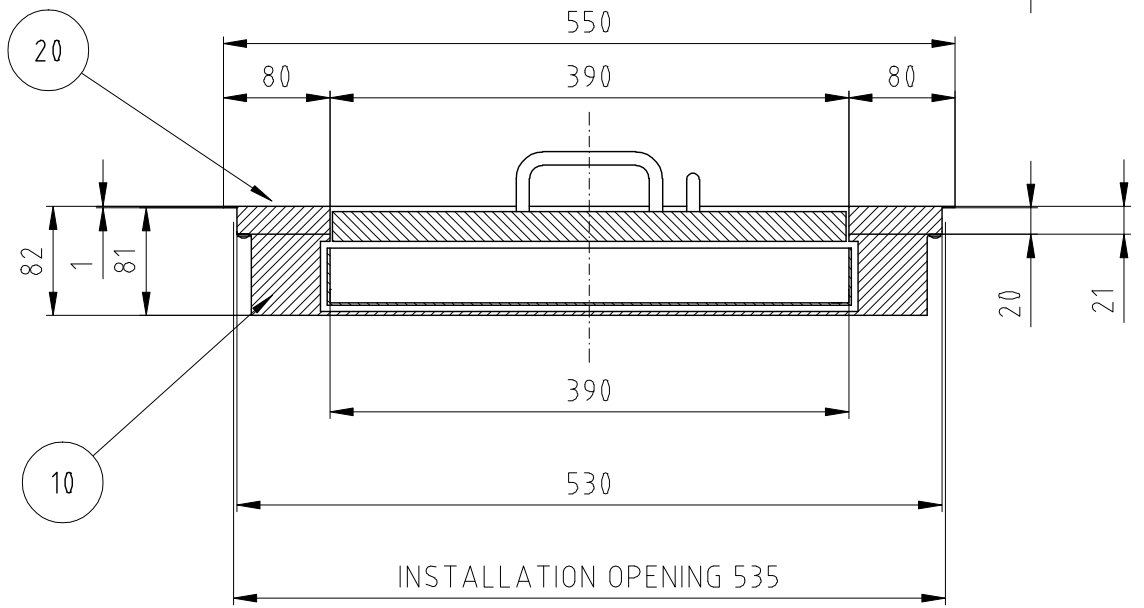
Inner clearance:

W x H x D = 390 x 41 x 276 mm

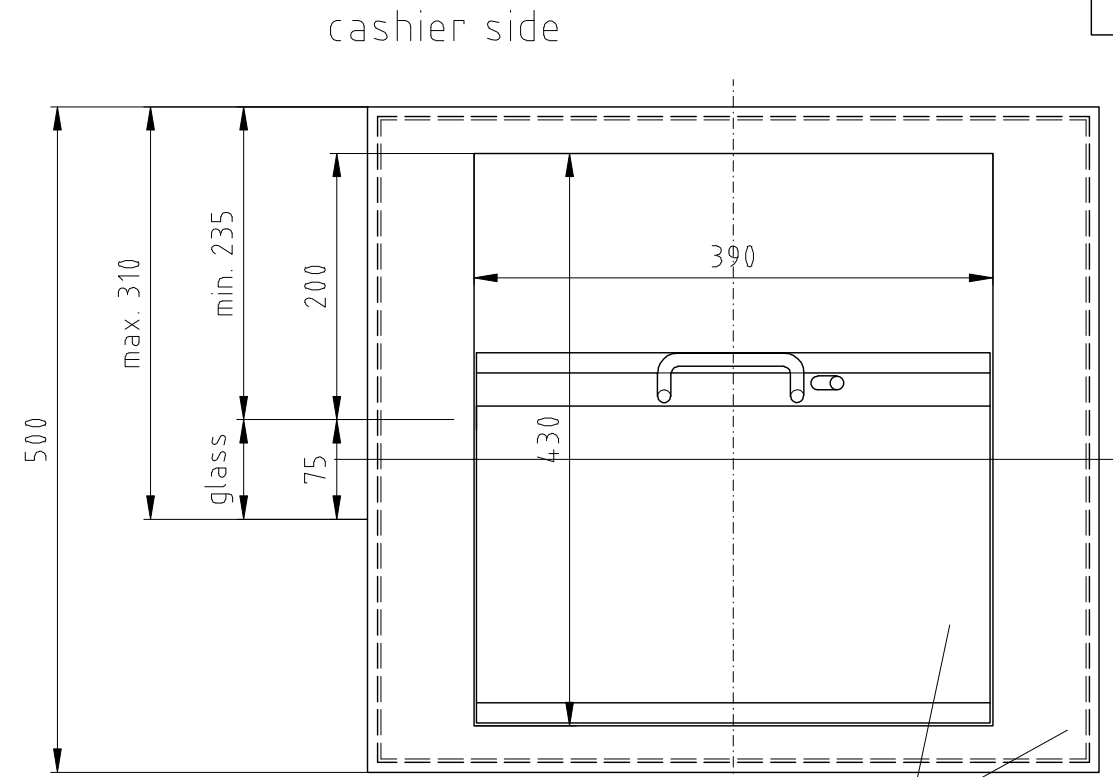
Required information for order:

Name and Item No.

(Our recommendation: Intercom System Delta)



Transfer Tray P 7031
production pcs.



execution of surface:
.....

approval for production
date: _____
stamp and signature

Stand: 22.09.03, Langer

Allgmeintoleranzen DIN ISO 2768-1m Tolerierung DIN ISO 8015 <table border="1"> <tr> <td>über</td> <td>über</td> <td>über</td> <td>über</td> <td>über</td> </tr> <tr> <td>6</td> <td>30</td> <td>100</td> <td>300</td> <td>1000</td> </tr> <tr> <td>bis</td> <td>bis</td> <td>bis</td> <td>bis</td> <td>bis</td> </tr> <tr> <td>6</td> <td>30</td> <td>100</td> <td>300</td> <td>1000</td> </tr> <tr> <td>±0,1</td> <td>±0,2</td> <td>±0,3</td> <td>±0,5</td> <td>±1,2</td> </tr> </table> für Geradheit und Ebenheit ISO 2768 Toleranzklasse K <table border="1"> <tr> <td>±0,05</td> <td>±0,1</td> <td>±0,2</td> <td>±0,4</td> <td>±0,6</td> <td>±0,8</td> </tr> </table> für Rechtwinkligkeit ISO 2768 Toleranzklasse K <table border="1"> <tr> <td>0,1</td> <td>0,3</td> <td>0,4</td> <td>0,6</td> <td>0,8</td> <td>1</td> </tr> </table>	über	über	über	über	über	6	30	100	300	1000	bis	bis	bis	bis	bis	6	30	100	300	1000	±0,1	±0,2	±0,3	±0,5	±1,2	±0,05	±0,1	±0,2	±0,4	±0,6	±0,8	0,1	0,3	0,4	0,6	0,8	1	Auftrag: Projekt-Nr.: P 7031 Kunde:	Vers. Änderung Datum Name
	über	über	über	über	über																																		
6	30	100	300	1000																																			
bis	bis	bis	bis	bis																																			
6	30	100	300	1000																																			
±0,1	±0,2	±0,3	±0,5	±1,2																																			
±0,05	±0,1	±0,2	±0,4	±0,6	±0,8																																		
0,1	0,3	0,4	0,6	0,8	1																																		
Das Urheberrecht an dieser Zeichnung und sämtlicher Beilagen verbleibt bei uns. Sie sind dem Empfänger nur zum persönlichen Gebrauch anvertraut. Ohne unsere schriftliche Genehmigung dürfen sie nicht vervielfältigt, nicht dritten Personen mitgeteilt oder zugänglich gemacht werden. Widerrechtliche Benutzung durch den Empfänger oder Dritte hat zivil- und strafrechtliche Folgen.	Werkstoff: Wenn ohne Angabe: Kanten: Gratfrei R=0,2 Oberfläche: DIN ISO 1302 Reihe2 Rz 50	<table border="1"> <tr> <td>Erstellt</td> <td>Glaser</td> <td>02.12.2008</td> <td rowspan="2"> Masstab: 1:5 Zeichnungsnummer: 7.0197.00 </td> <td rowspan="2"> Format: A3 Index: 0 </td> </tr> <tr> <td>Geändert</td> <td>Glaser</td> <td>02.12.2008</td> </tr> <tr> <td>Geprüft</td> <td></td> <td></td> <td></td> <td></td> </tr> <tr> <td></td> <td>Name</td> <td>Datum</td> <td></td> <td></td> </tr> </table>	Erstellt	Glaser	02.12.2008	Masstab: 1:5 Zeichnungsnummer: 7.0197.00	Format: A3 Index: 0	Geändert	Glaser	02.12.2008	Geprüft						Name	Datum																					
Erstellt	Glaser	02.12.2008	Masstab: 1:5 Zeichnungsnummer: 7.0197.00	Format: A3 Index: 0																																			
Geändert	Glaser	02.12.2008																																					
Geprüft																																							
	Name	Datum																																					
SITEC SITEC GMBH SICHERHEITSEINRICHTUNGEN JOHANN-GEORG-HERZOG-STR. 19 D-96369 Weissenbrunn TELEFON : 09261/60750 TELEFAX : 09261/607510	Benennung: P 7031 customer's drawing standard Dosname: X:P7031\7_0197_00_0_2.DWG Ursprung:	Artikel-Nr.:																																					