

Transfer Tray P 7032

Transfer Tray P 7032

This unit was designed for flush built-in into cash desks. It is intended for indoor and roofed outdoor use in banks, porters' offices and other cash areas. Due to its flat construction, it can be set in everywhere there, where only a low built-in height is available. Included in delivery is a sealing brush in order to ensure that the unit is rather free of draught.

Security

P 7032 can be delivered with bulletproof classification FB4 as well as in fire-resistant version.

On request we send you the test certificate.

Operation

The unit is operated manually. Money carriage and counter moving cover plate lock in their end positions. Unlocking is possible by pushing the slide control next to the handle.

Construction and finish

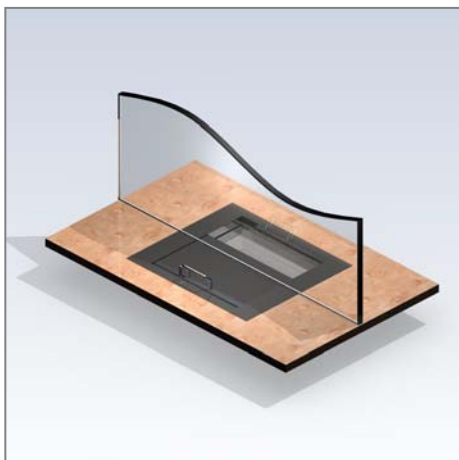
Robust steel construction with long-living and maintenance-free mechanics. Cover frame and counter moving cover plate with abrasion-resistant structure lacquering (RAL 9005, Jet black). The money carriage with inserted plate is made of stainless steel.

Installation

The unit can be inserted from above into the prepared cut-out of the counter. In order to build in the unit completely flush with the counter, the desk plate can be milled.

The unit has to be supported by e.g. consoles to make sure that the whole weight does not burden on the cover frame.

It should be also possible to dismantle the unit in case of later repairs and maintenance work will be necessary.



Intercommunication system

We recommend our Intercom System Delta to allow customer-friendly communication between operator and customer.



Scope of delivery (Item No.: 100028)

Transfer Tray P 7032 - Standard Jet black

Inserted stainless steel plate, removable

Sealing brush to close the gap between cover plate and glass frame

Possible variants

P 7032/Delta, Tray with wider casing and integrated intercom system (Item No.: 103206)

P 7032/O, for pass-through of large files

Size: DIN A 4 (Item No.: 100029)

P 7032/VA, frame and counter moving cover plate covered with stainless steel V2a brushed (Item No.: 100030)

P 7032/F60, fire-resistant version according to DIN 4102 (Item No.: 100732)

Possible are also combinations of the above mentioned units as well as units for thicker walls or with special dimensions, different colours and materials.

Please contact us.

Security (Bulletproof according to DIN EN 1522): FB4-NS

(also BGV C9 - UVV Kassen)

Cash desk cut-out:

W x D = 535 x 485 mm

Outer dimensions:

W x H x D = 550 x 141 x 500 mm

Inner clearance:

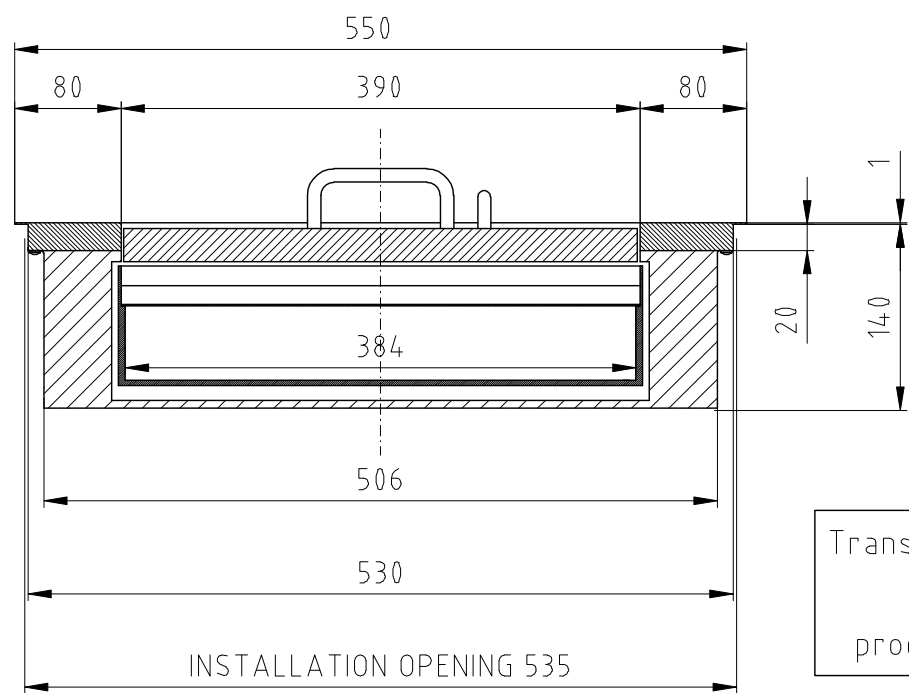
W x H x D = 384 x 86 x 274 mm

inserted plate H = 30 mm

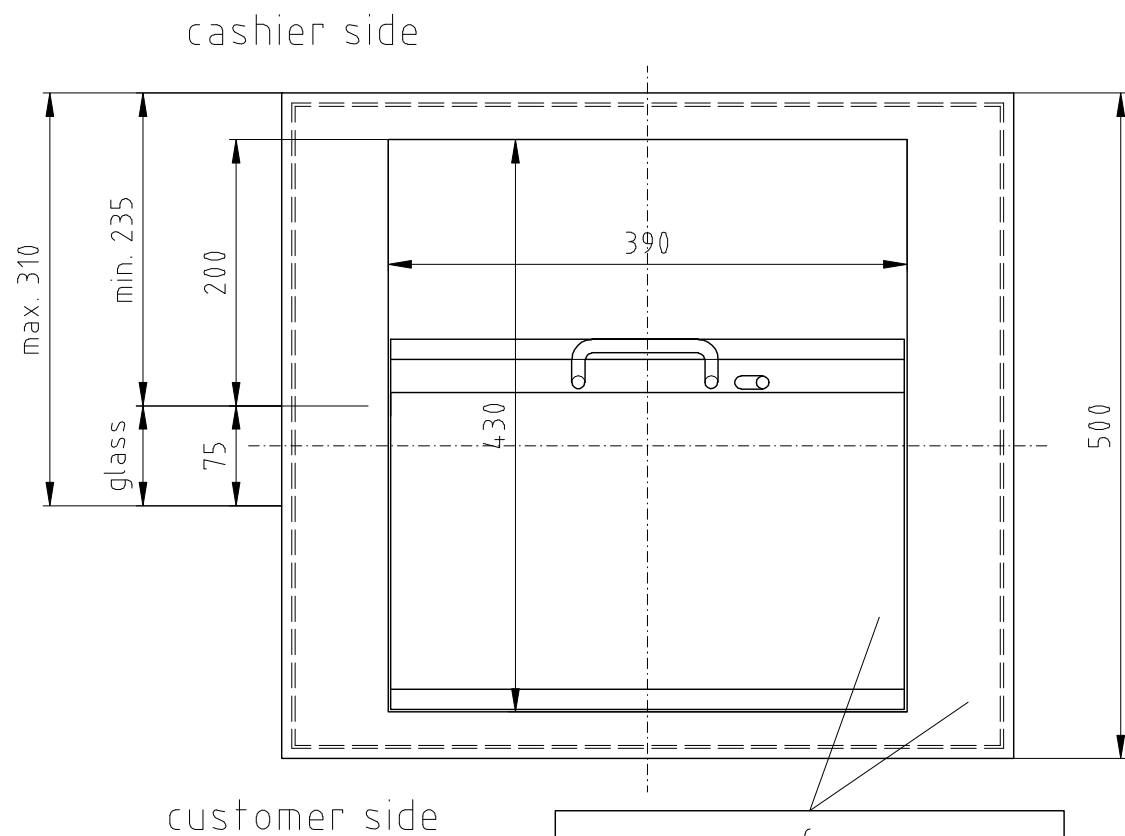
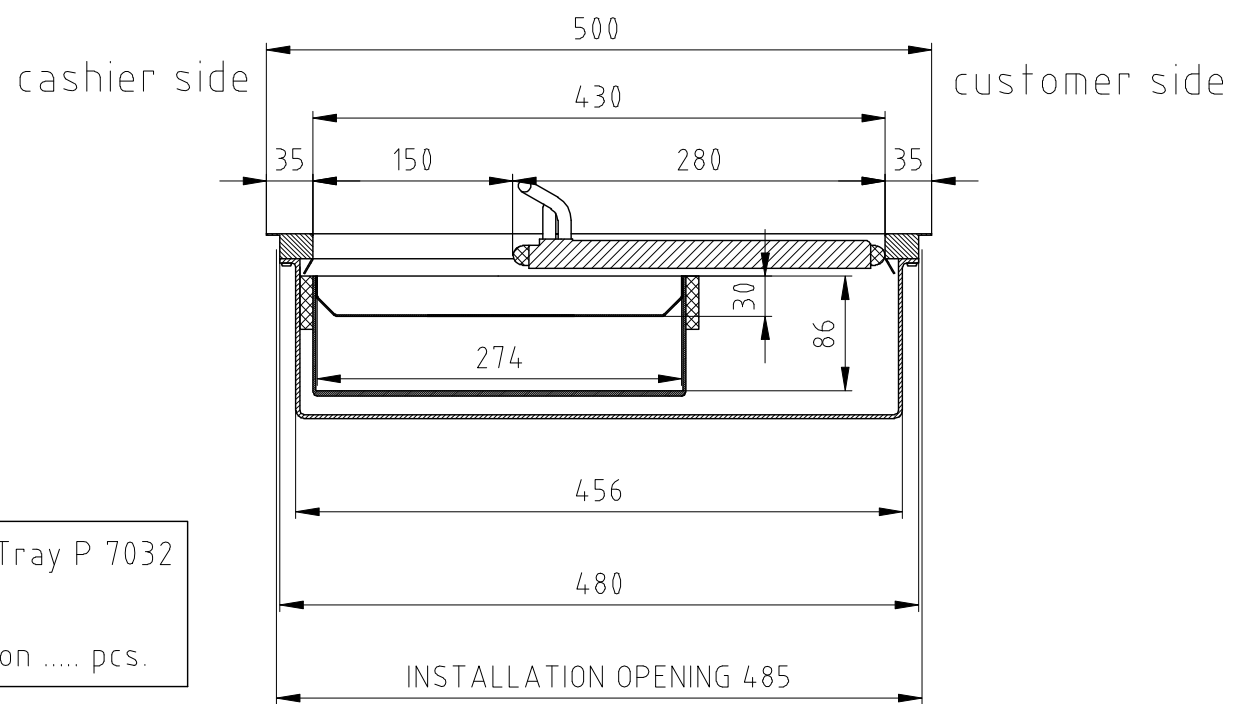
Required information for order:

Name and Item No.

(Our recommendation: Intercom System Delta)



Transfer Tray P 7032
production pcs.



surface:
.....

approval for production
date: _____
stamp and signature

Allgemeintoleranzen DIN ISO 2768-1m
Tolerierung DIN ISO 8015

| | | über | | über | | über | |
|--|------|------|------|------|------|------|------|
| bis | bis | bis | bis | bis | bis | bis | bis |
| 6 | 30 | 100 | 300 | 1000 | 6 | 30 | 100 |
| ±0,1 | ±0,2 | ±0,3 | ±0,3 | ±0,5 | ±1,2 | ±1,2 | ±1,2 |
| für Geradheit und Ebenheit ISO 2768 Toleranzklasse K | | | | | | | |
| ±0,05 | ±0,1 | ±0,2 | ±0,4 | ±0,6 | ±0,8 | ±0,8 | ±0,8 |
| für Rechtwinkligkeit ISO 2768 Toleranzklasse K | | | | | | | |
| 0,1 | 0,3 | 0,4 | 0,6 | 0,8 | 1 | 1 | 1 |

Das Urheberrecht an dieser Zeichnung und sämtlichen Beilagen verbleibt bei uns. Sie sind dem Empfänger nur zum persönlichen Gebrauch anvertraut. Ohne unsere schriftliche Genehmigung dürfen sie nicht vervielfältigt, nicht dritten Personen mitgeteilt oder zugänglich gemacht werden. Widerrechtliche Benutzung durch den Empfänger oder Dritte hat zivil- und strafrechtliche Folgen.



SITEC GMBH
SICHERHEITSEINRICHTUNGEN
JOHANN-GEORG-HERZOG-STR. 19
D-96369 Weissenbrunn
TELEFON : 09261/60750
TELEFAX : 09261/607510

Auftrag:
P 7032

Projekt-Nr.:
P 7032

Kunde:

Werkstoff:

Wenn ohne Angabe:
Kanten: Gratfrei R=0,2
Oberfläche: DIN ISO 1302 Reihe2 Rz 50

Benennung: P 7032 customer's drawing
standard

Dosname: X:P7032\7_0014_00_0_2.DWG

| Vers. | Änderung | Datum | Name |
|----------|----------|------------|------|
| Erstellt | Glaser | 02.12.2008 | |
| Geändert | Glaser | 02.12.2008 | |
| Geprüft | | | |

Masstab: 1:5
Format: A3
Zeichnungsnummer: 7.0014.00
Index: 0

Artikel-Nr.:

Ursprung: