

Transfer Tray P 7025

Transfer Tray P 7025

This transfer tray is suitable for flush built-in into cash desks and has one movable carriage and under it one fixed pass-through.

It is intended for indoor and roofed outdoor use, in case documents and money are frequently interchanged and sometimes bigger objects are passed through.

Security

P 7025 corresponds to the Accident Prevention Regulations of the German Administrative Professional Association BGV C9 (UVV-Kassen).

Operation

The unit is operated manually. The money carriage locks in both end positions and in mid position. In mid position the lower fixed pass-through is covered. Thus there is no possibility to grasp through by hand. Unlocking is possible by pushing the slide control.

Construction and finish

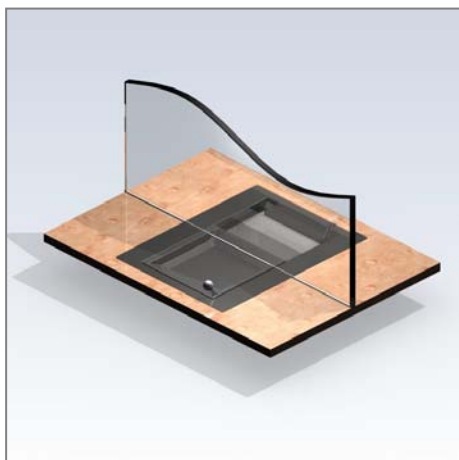
Robust steel construction with long-living and maintenance-free mechanics. Carriage made of impact-resistant plastic. Cover frame and carriage with abrasion-resistant structure lacquering (RAL 9005, Jet black).

Installation

The unit can be inserted from above into the prepared cut-out of the counter. The edges of the frame cover the cut-out. In order to build in the unit completely flush with the counter, the desk plate can be milled.

The unit has to be supported by e.g. consoles to make sure that the whole weight does not burden on the cover frame.

It should be also possible to dismantle the unit in case of later repairs and maintenance work will be necessary.



Intercommunication System

We recommend our Intercom System Delta to allow customer-friendly communication between operator and customer.



Scope of delivery (Item No.: 100640)

Transfer Tray P 7025 - Standard Jet black

Possible variants

P 7025/VA, with cover frame in stainless steel V2a (Item No.: 106985)

P 7025/S, with cover frame in special RAL-colour according to customer's request

Please contact us.

Security

Corresponds to the Accident Prevention Regulations BGV C9 (UVV Kassen)

Cash-desk cut-out:

W x D = 462 x 630 mm

Outer dimensions:

W x H x D = 476 x 144 x 642 mm

Inner clearance:

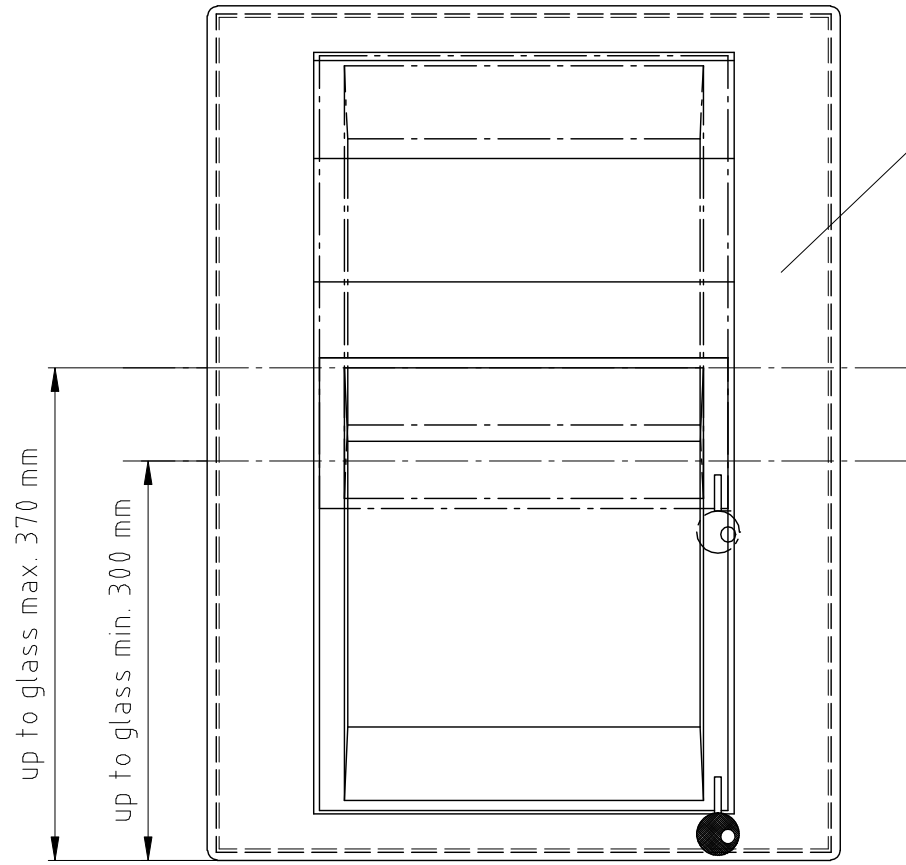
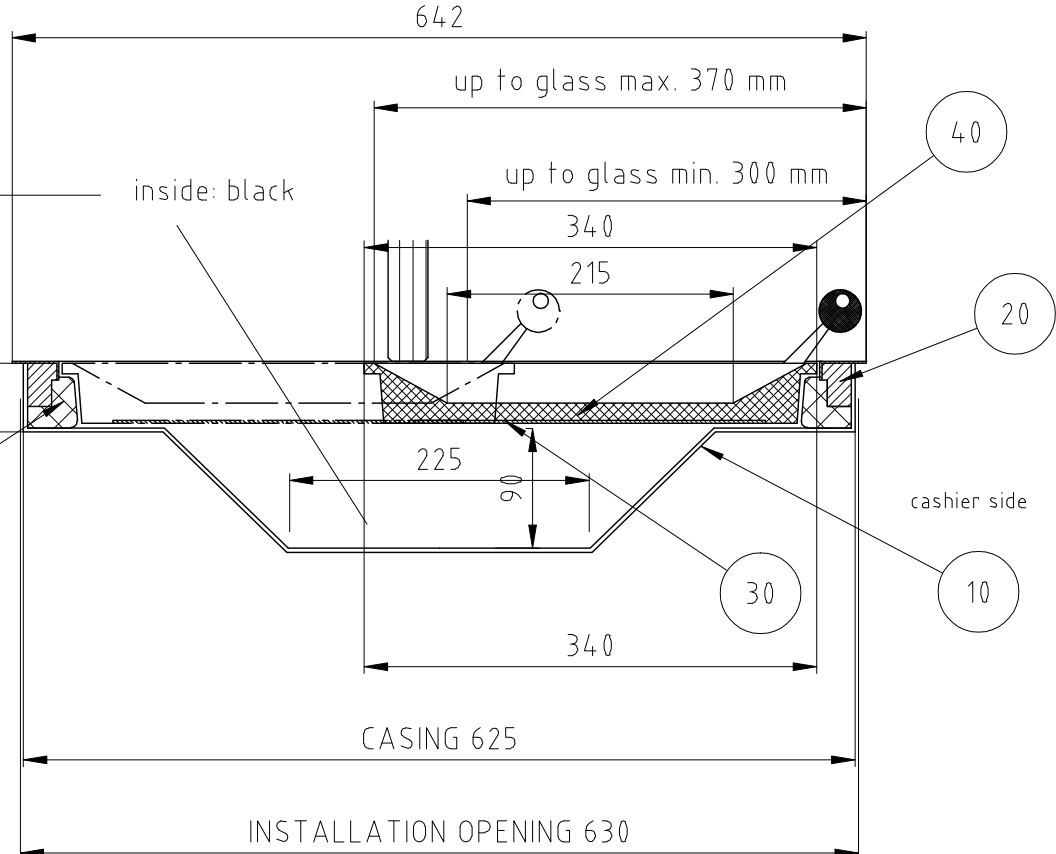
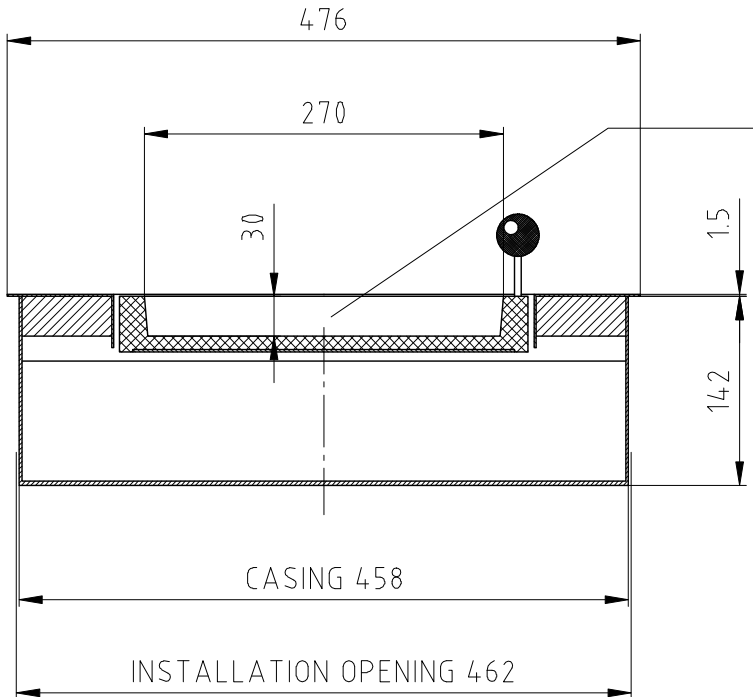
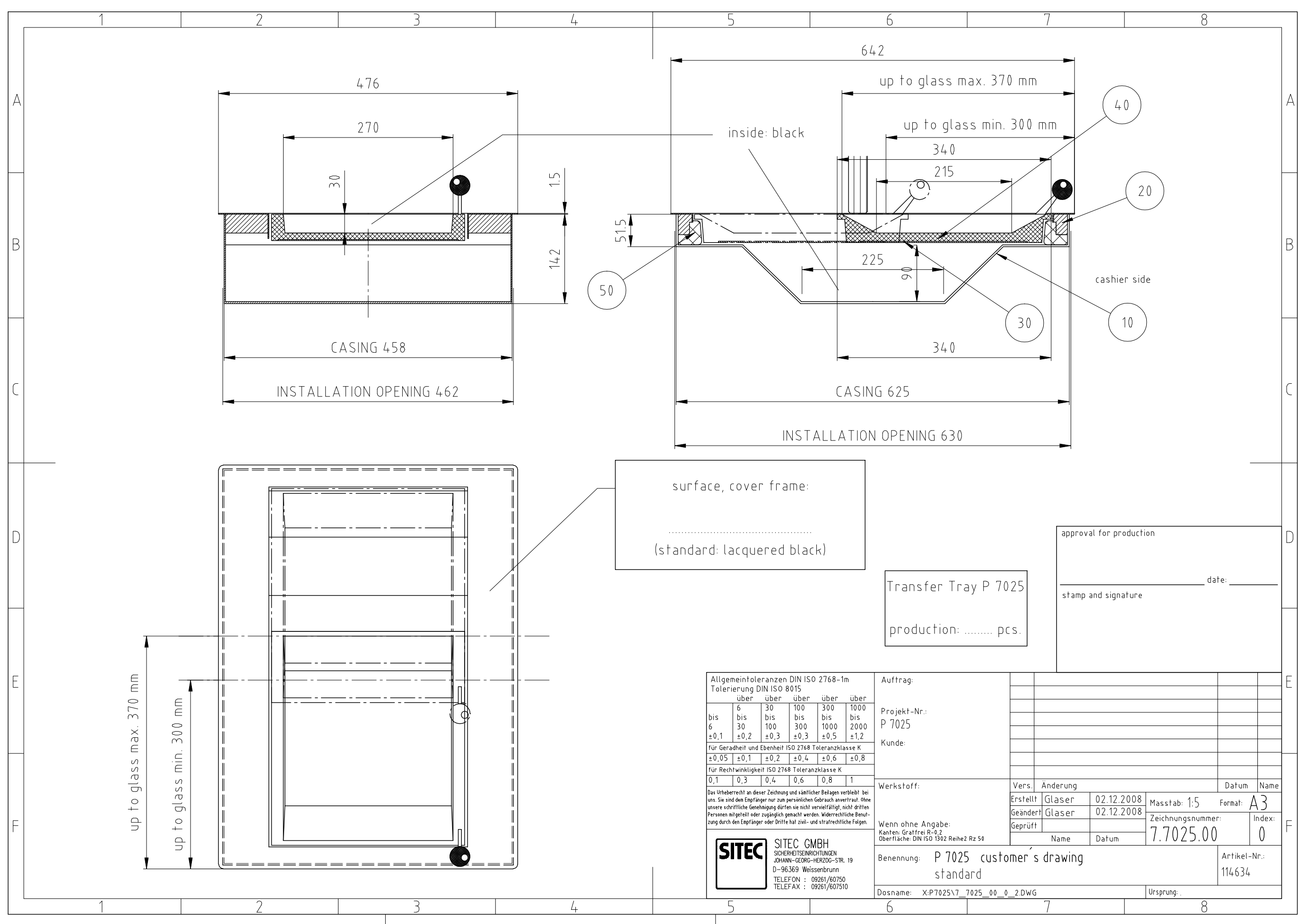
Upper tray: W x H x D = 270 x 30 x 215 mm

Lower tray: W x H x D = 270 x 90 x 225 mm

Required information for order:

Name and Item No.

(Our recommendation: Intercom System Delta)



surface, cover frame:
.....
(standard: lacquered black)

Transfer Tray P 7025
production: pcs.

approval for production

date: _____

stamp and signature

Allgemeintoleranzen DIN ISO 2768-1m
Tolerierung DIN ISO 8015

	über	über	über	über	über
bis	6	30	100	300	1000
bis	bis	bis	bis	bis	bis
6	30	100	300	1000	2000
±0,1	±0,2	±0,3	±0,3	±0,5	±1,2

für Geradheit und Ebenheit ISO 2768 Toleranzklasse K
±0,05 ±0,1 ±0,2 ±0,4 ±0,6 ±0,8

für Rechtwinkligkeit ISO 2768 Toleranzklasse K
0,1 0,3 0,4 0,6 0,8 1

Das Urheberrecht an dieser Zeichnung und sämtlicher Beilagen verbleibt bei uns. Sie sind dem Empfänger nur zum persönlichen Gebrauch anvertraut. Ohne unsere schriftliche Genehmigung dürfen sie nicht vervielfältigt, nicht dritten Personen mitgeteilt oder zugänglich gemacht werden. Widerrechtliche Benutzung durch den Empfänger oder Dritte hat zivil- und strafrechtliche Folgen.

SITEC SITEC GMBH
SICHERHEITSEINRICHTUNGEN
JOHANN-GEORG-HERZOG-STR. 19
D-96369 Weissenbrunn
TELEFON : 09261/60750
TELEFAX : 09261/607510

Auftrag:					
Projekt-Nr.:	P 7025				
Kunde:					
Werkstoff:		Vers. Änderung	Datum	Name	
Erstellt	Glaser	02.12.2008	Masstab: 1:5	Format: A3	
Geändert	Glaser	02.12.2008	Zeichnungsnummer:	Index:	
Geprüft			7.7025.00	0	
Benennung:	P 7025 customer's drawing standard			Artikel-Nr.:	114634
Dosname:	X:P7025\7_7025_00_0_2.DWG			Ursprung:	